

Product Name	All-in-one Solar Garden Light
Product No	AN-ISGL02
Manual No	02
Date	2017.8

*Anern Industry Group Limited*



**Anern**<sup>®</sup>

## Lamp structure



### Solar Panel

Monocrystalline silicon solar panel.  
Waterproof resin package.  
PV efficiency > 19%.

### LED Chip

High brightness Bridgelux chips.  
low loss, luminous flux 110lm/w .  
PHILIPS and CREE for optional.

### Lithium Battery

Long life cycle, >2000 times deep cycle, 8 times  
of lead acid battery .  
No memory effect, highly efficient charge anytime,  
no reduction of capacity.  
Low self-discharge rate < 3% monthly.

### MPPT Controller

Multi-crest MPPT tech, adapts to the solar panel  
which is under shadow or partly damaged.  
Auto identify day/night.  
Very low dormancy loss: 0.06W.

## Specification



<b>Model</b>	AN-ISG02-20W
<b>LED</b>	2000Lumens, 2700-6500K
<b>Li-ion Battery</b>	15AH
<b>Solar Panel(High efficiency mono)</b>	18V 30W
<b>Solar Charging Time</b>	9-10 hours by bright sunlight
<b>Lighting time</b>	Over 3 nights
<b>Install height</b>	3~4 meters
<b>Waterproof</b>	Ip65
<b>Material</b>	Aluminium alloy + ABS
<b>Size</b>	570*570*230mm
<b>Work temperature</b>	-25 to 65
<b>Lighting Mode</b>	5 Hrs high bright + 7 Hrs 25% dim light
<b>Packing Details</b>	Carton size: 59*59*27CM QTY/CTNS: 1PCS G.W/CTNS:8KG

## Specification



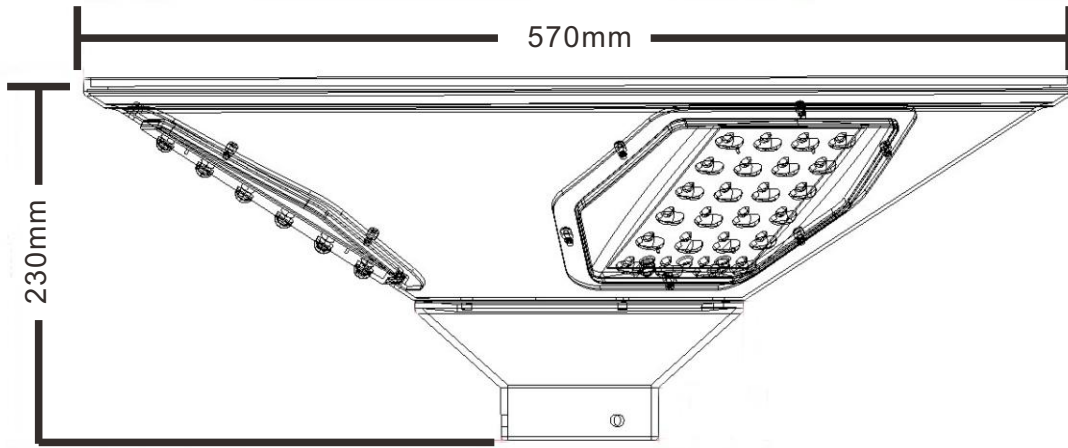
<b>Model</b>	AN-ISG02-30W
<b>LED</b>	3000Lumens, 2700-6500K
<b>Li-ion Battery</b>	30AH
<b>Solar Panel(High efficiency mono)</b>	18V 40W
<b>Solar Charging Time</b>	9-10 hours by bright sunlight
<b>Lighting time</b>	Over 3 nights
<b>Install height</b>	3~4 meters
<b>Waterproof</b>	Ip65
<b>Material</b>	Aluminium alloy + ABS
<b>Size</b>	660*660*240mm
<b>Work temperature</b>	-25 to 65
<b>Lighting Mode</b>	5 Hrs high bright + 7 Hrs 25% dim light
<b>Packing Details</b>	Carton size: 68*68*28CM QTY/CTNS: 1PCS G.W/CTNS:10KG

## Specification

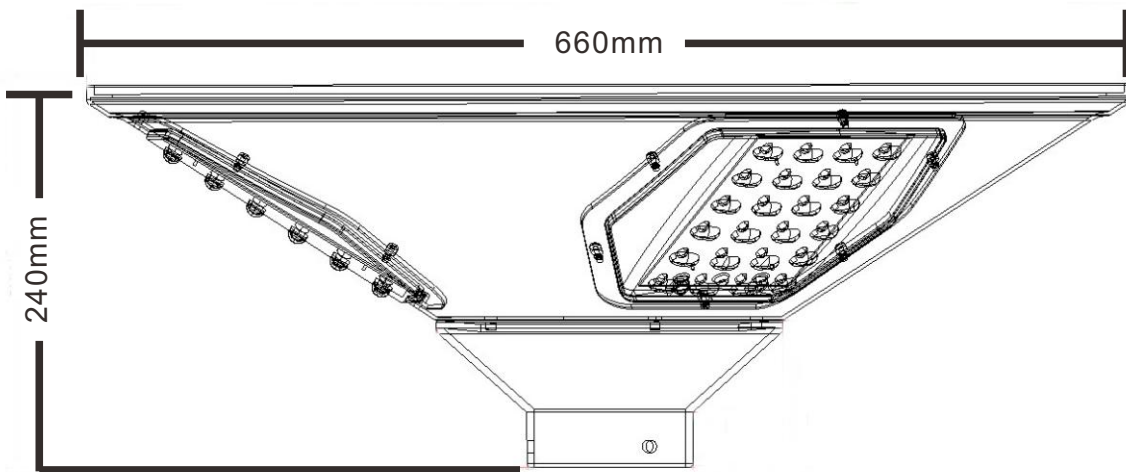


<b>Model</b>	AN-ISG02-50W
<b>LED</b>	5000Lumens, 2700-6500K
<b>Li-ion Battery</b>	40AH
<b>Solar Panel(High efficiency mono)</b>	18V 50W
<b>Solar Charging Time</b>	9-10 hours by bright sunlight
<b>Lighting time</b>	Over 3 nights
<b>Install height</b>	3~4 meters
<b>Waterproof</b>	Ip65
<b>Material</b>	Aluminium alloy + ABS
<b>Size</b>	760*760*250mm
<b>Work temperature</b>	-25 to 65
<b>Lighting Mode</b>	5 Hrs high bright + 7 Hrs 25% dim light
<b>Packing Details</b>	Carton size: 78*78*28CM QTY/CTNS: 1PCS G.W/CTNS:16KG

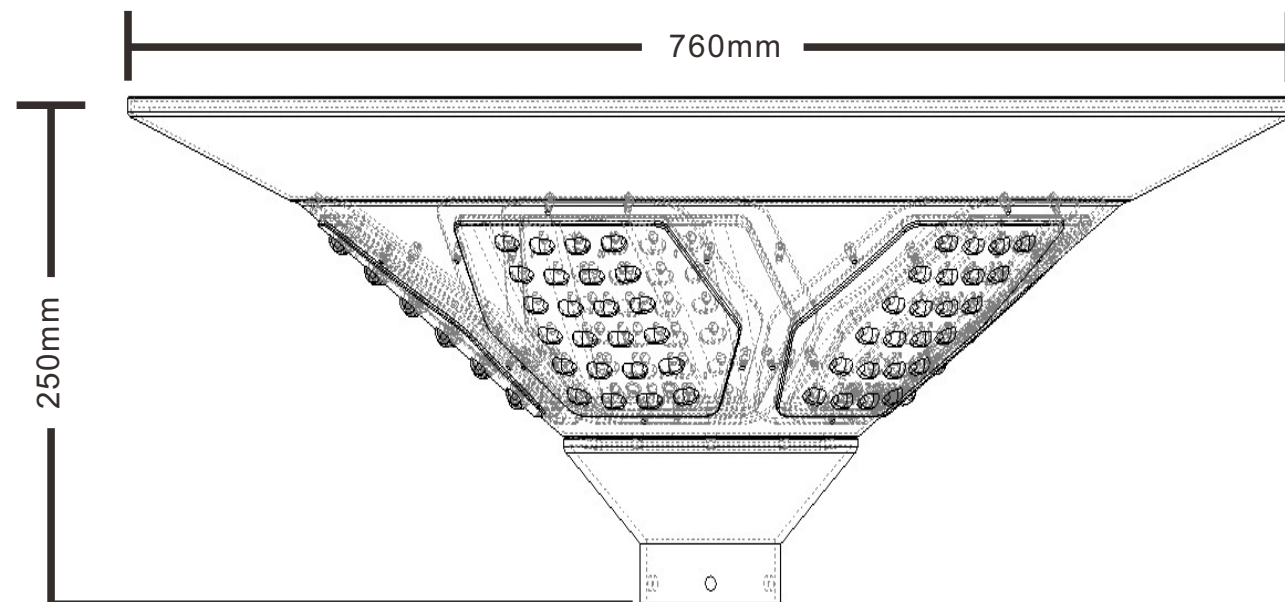
Dimension



20W



30W

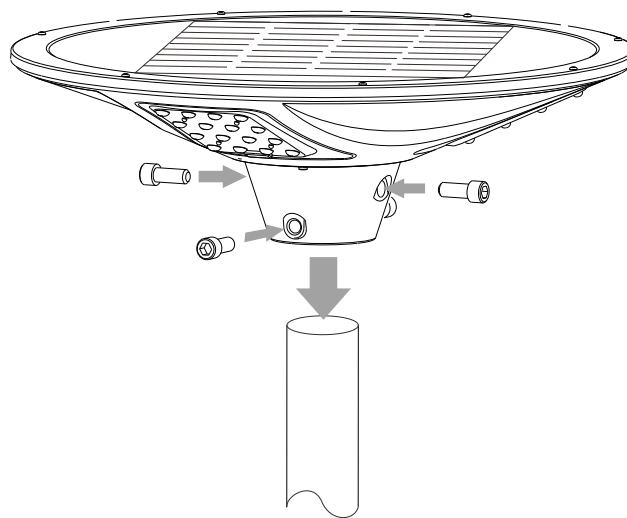


50W

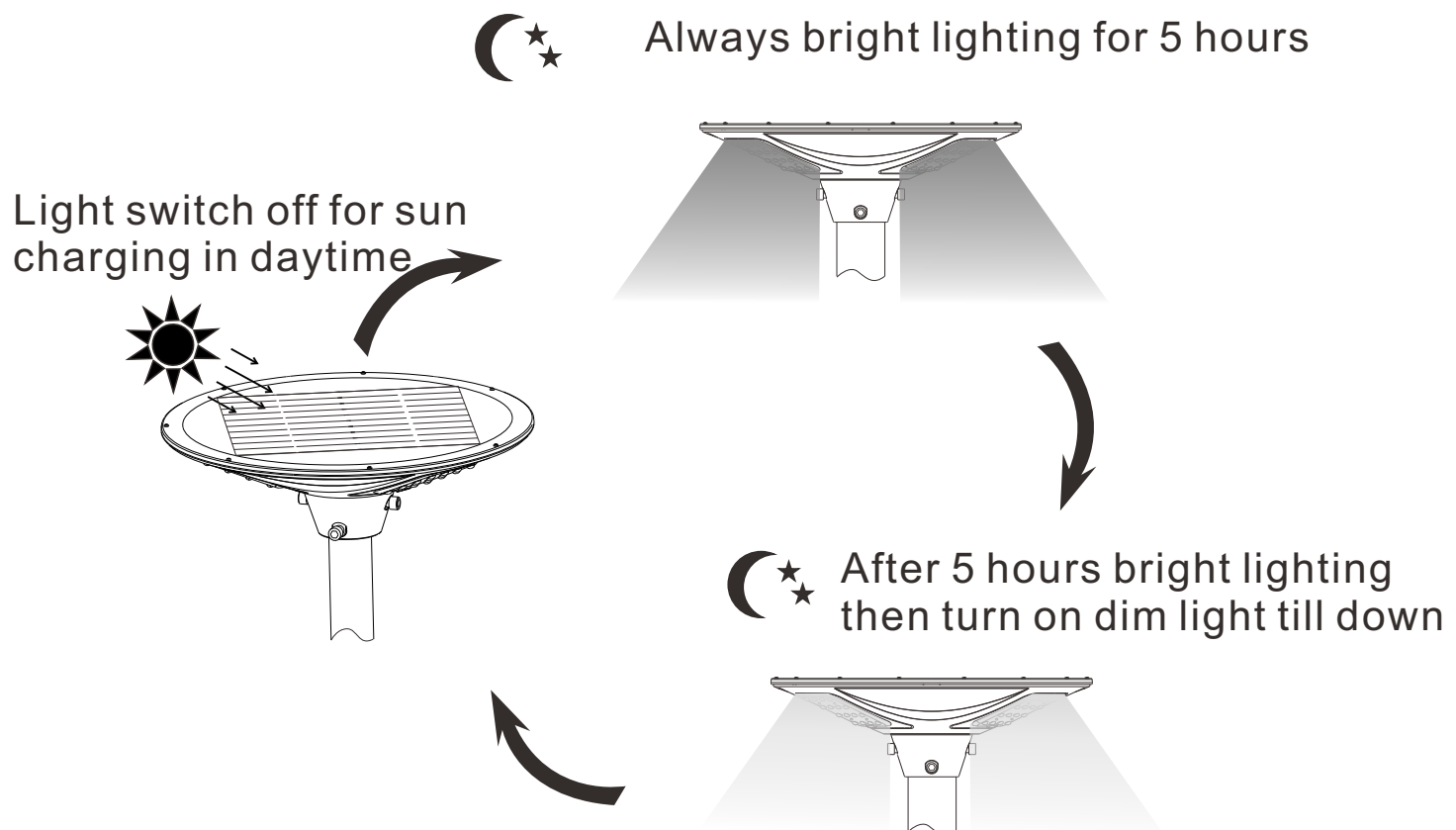
## Operation Instructions

How to install the device ?

Very easy to install, just screw on the light to the pole by supplied screws.

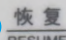

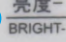

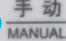



How to the light working ?



## Remote Control



- |                   |   |                |   |                |  |
|-------------------|---|----------------|---|----------------|--|
| 50% LED Power     |    | 恢复<br>RESUME   |    | 自动<br>AUTO     | Restore the power program that was last adjusted |
| Reduce brightness |   | 亮度-<br>BRIGHT- |   | 亮度+<br>BRIGHT+ | Increase brightness                              |
| Open the light    |  | 手动<br>MANUAL   |  | 关灯<br>OFF      | Turn off the light                               |

